

Name: _____		Date: _____		Event: _____	
City: _____		State: _____		Track: _____	
Track Conditions	<input type="checkbox"/> Indoor	<input type="checkbox"/> Tight	<input type="checkbox"/> Smooth	<input type="checkbox"/> Hard Packed	<input type="checkbox"/> Blue Groove
	<input type="checkbox"/> Outdoor	<input type="checkbox"/> Open	<input type="checkbox"/> Rough	<input type="checkbox"/> Loose/Loamy	<input type="checkbox"/> Dry
				<input type="checkbox"/> Wet	<input type="checkbox"/> Dusty
				<input type="checkbox"/> Grass	<input type="checkbox"/> Astro Turf
				<input type="checkbox"/> Low Bite	<input type="checkbox"/> Med Bite
				<input type="checkbox"/> High Bite	<input type="checkbox"/> Other _____

Front Suspension

Toe: _____

Ride Height: _____ Camber: _____

Caster: 0° 5°

Kick Angle: 20° 25° 30°

VLA Setting: Short Arm Long Arm

Oil: _____

Piston: _____

Spring: Standard Low Freq. Color: _____

Front Pivot: Aluminum Plastic HRC

Kick Shim: Brass Plastic

Shock Limiters: _____ Stroke: _____

Shock Location: _____

Steering Type: Slide Rack Bell Cranks

Spindle Ball Stud: Standard Low Mount

Bumper Steer Spacers: _____

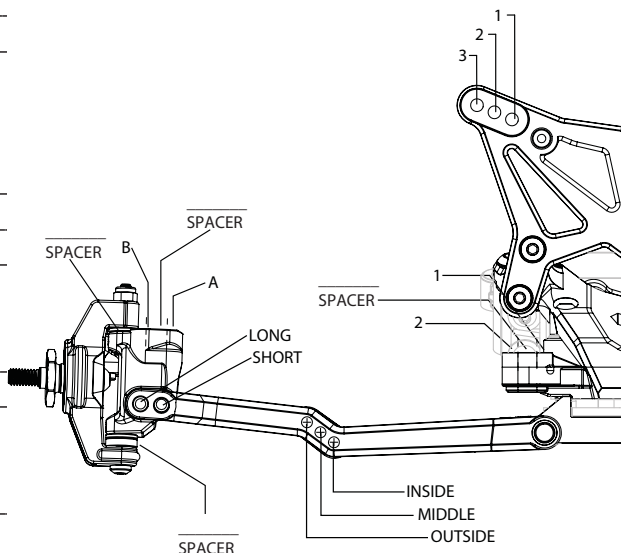
Ackerman Ball Stud: Standard Low Mount

Ackerman Spacers: _____

Ackerman Arm: #1 #2 #3 _____

Trail: 2mm 3mm 4mm

Camber Link: _____



Notes: _____

Rear Suspension

Transmission Type: 3-Gear 4-Gear

Toe Inserts: 0.5° 1° 1.5° 2° 2.5° 3° 3.5° 4°

Anti-Squat Inserts: 0° 0.5° 1° 1.5° 2° 2.5° 3°

Roll Center: Low Roll Center (LRC) High Roll Center (HRC)

Ride Height: _____ Camber: _____

Rear Hub Spacing: _____

Hex Width: _____

Sway Bar: _____

Oil: _____

Piston: _____

Spring: Standard Low Freq. Color: _____

Shock Limiters: _____ Stroke: _____

Shock Location: _____

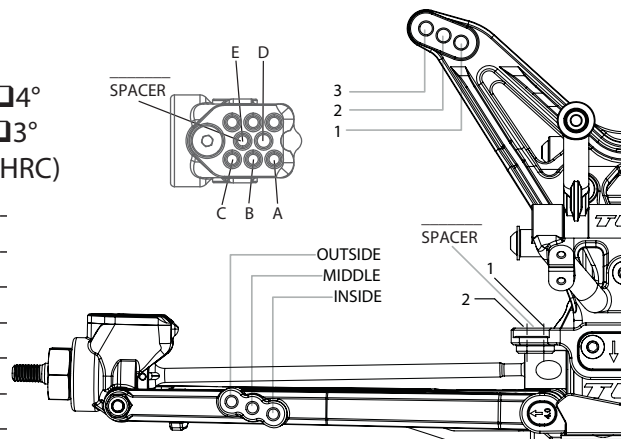
Inner Link Spacer: -1mm 0mm +1mm

Camber Link: _____

Body: _____

Battery Position: _____

Diff Type: Ball Gear Setting: Medium, 3/4 Revolution



Electronics

Radio: _____ Timing Advance: _____

Servo: SPM S6240 Throttle/Brake Expo: _____

ESC: _____ Servo Expo: _____

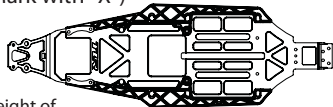
Initial Brake: _____ Throttle/Brake EPA: _____

Drag Brake: _____ Motor: Trinity Slot Machine

Throttle Profile: _____ Pinion: 21 Spur: 78

Battery: Spektrum 6300 Pro

Weight Placement
(Mark with "X")



Weight of each piece _____ oz./g

Tires:	Compound	Insert	Additive
Front: _____	_____	_____	_____
Rear: _____	_____	_____	_____
Notes: _____	_____	_____	_____

G3 0mm Shock Eyelets, G3 Short Spring Cups All Around. 3mm Trail Inserts, Ride Height Set To 18mm Elite C & D Blocks. 1-Center Dot Up On C Block. .5-Out, Middle Row On D Block